

DERWENT-ACC-NO: 2000-617400

DERWENT-WEEK: 200059

COPYRIGHT 1999 DERWENT INFORMATION LTD

TITLE: Device for measuring girth of pig or other animal, wraps tape around pig's body and provides direct read-off on graduated scale

INVENTOR: VAN DE CROMMERT, A J A M

PATENT-ASSIGNEE: VAN DE CROMMERT A J A M[VCROI]

PRIORITY-DATA: 1999NL-1011049 (January 15, 1999)

PATENT-FAMILY:

PUB-NO	PUB-DATE	LANGUAGE	PAGES	MAIN-IPC
NL 1011049 C2	July 18, 2000	N/A	016	G01B 005/02

APPLICATION-DATA:

PUB-NO	APPL-DESCRIPTOR	APPL-NO	APPL-DATE
NL 1011049C2	N/A	1999NL-1011049	January 15, 1999

INT-CL (IPC): G01B005/00, G01B005/02, G01G017/08

ABSTRACTED-PUB-NO: NL 1011049C

BASIC-ABSTRACT:

NOVELTY - The device has two pivotal arms (2) shaped like calipers. The arms pivot at the ends of a cross bar (3). A tape (7) runs between the ends (8) of the arms and a spring loaded central measuring assembly (10). The handles (5) are used to open out the arms, which are put over the pig's back and closed under the pig's belly. The tape (7) is then in contact with the pig's body and the girth can be read off on a linear scale (13).

USE - Estimating weight of a pig by measuring girth.

ADVANTAGE - Accurate and rapid measurement.

DESCRIPTION OF DRAWING(S) - The drawing shows a side view of the device.

Device 1

Caliper arms 2

Cross bar 3

Connection point 4

Handles 5

Points 6

Tape 7

Connection 8

Guide 9

Measuring assembly 10

Housing 11

Tensioning spring 12

CHOSEN-DRAWING: Dwg.1/3

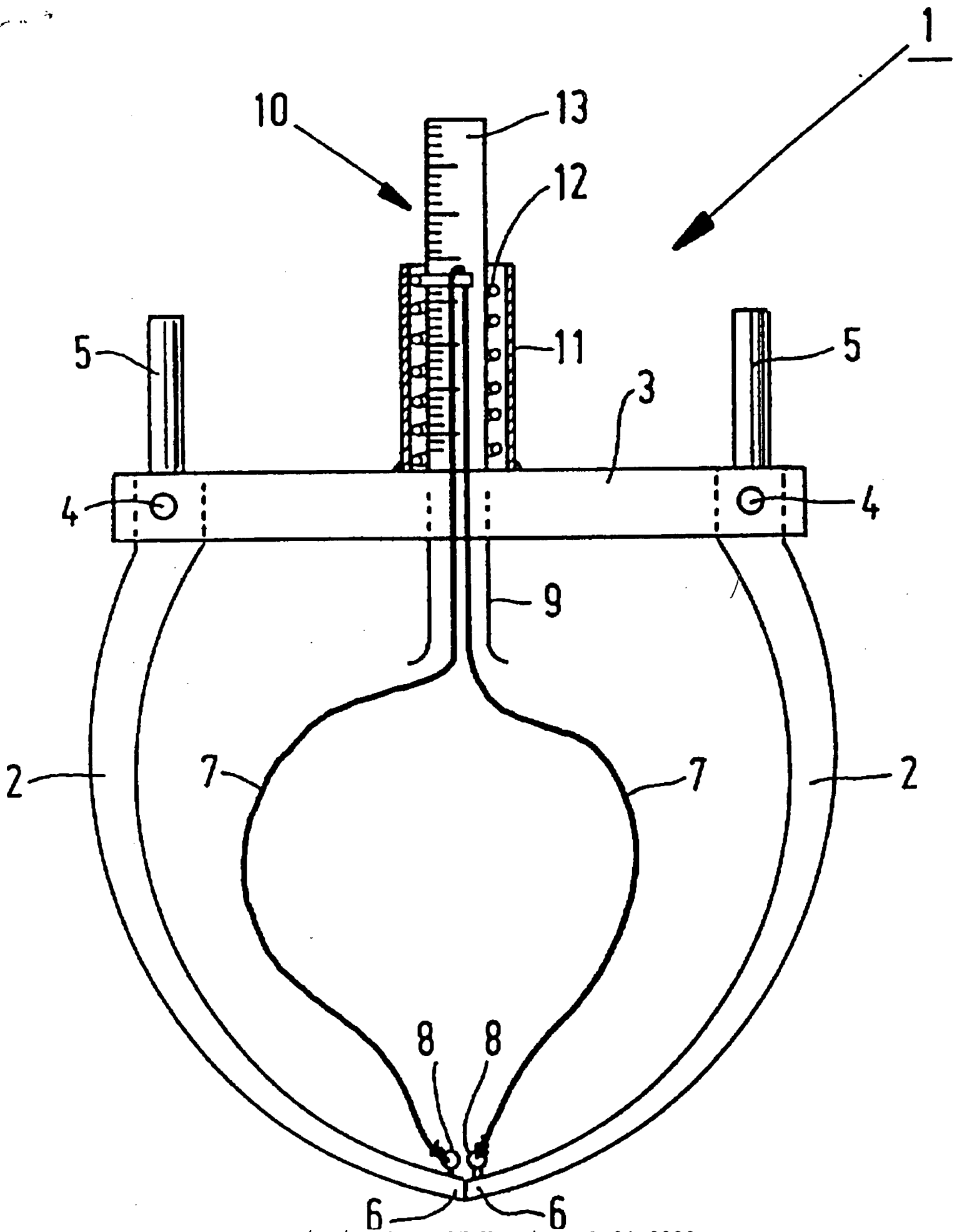
TITLE-TERMS: DEVICE MEASURE GIRTH PIG ANIMAL WRAP TAPE PIG BODY
DIRECT READ
GRADUATED SCALE

DERWENT-CLASS: S02

EPI-CODES: S02-A01C; S02-A01C2; S02-D02C;

SECONDARY-ACC-NO:

Non-CPI Secondary Accession Numbers: N2000-457407



L Number	Hits	Search Text	DB	Time stamp
5	1	girth same length same height same (horse or mammal or equine or bovine) same weight	USPAT; US-P PUB; EP ; JP ; DERWENT; IBM_TDB	2003/09/22 10:15
6	45	girth and length and height and (horse or mammal or equine or bovine) and weight	USPAT; US-PGPUB; EPO; JPO; DERWENT; IBM_TDB	2003/09/22 10:20
7	261	girth and (animal or horse or mammal or equine or bovine) and weight	USPAT; US-PGPUB; EPO; JPO; DERWENT; IBM_TDB	2003/09/22 10:20
8	216	(girth and (animal or horse or mammal or equine or bovine) and weight) not (girth and length and height and (horse or mammal or equine or bovine) and weight)	USPAT; US-PGPUB; EPO; JPO; DERWENT; IBM_TDB	2003/09/22 10:20
9	2	("3283838" "4030559").PN.	USPAT	2003/09/22 10:25
10	1	4823894.URPN.	USPAT	2003/09/22 10:25